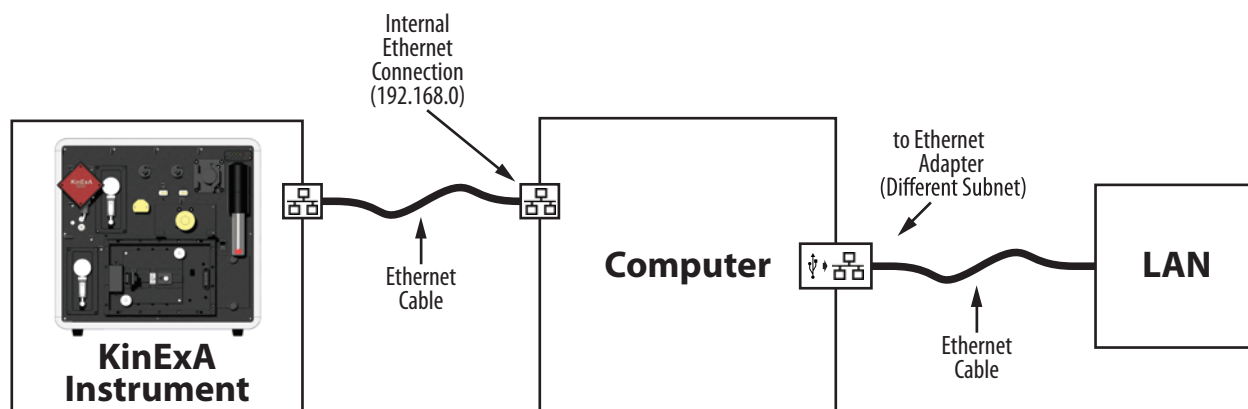


KinExA 3200 Computer Connection

Connecting a computer to the KinExA® 3200 requires the use of an Ethernet connection on subnet 192.168.0. If a connection to an external network is desired, a corporate LAN for example, a second Ethernet connection is required with a subnet other than 192.168.0. For computers lacking a second Ethernet connection,

a USB to Ethernet adapter is recommended. (see figure below). If the alternate setup is used, a USB thumb drive is a convenient way to transfer experiment files to other computers. For detailed instructions on setting up the KinExA 3200 to computer network connection, see How to Guide 212 - Computer Setup Checklist (HG212).

Preferred Setup



Alternate Setup

